

SFP+ 10G Active Optical Cable

Product Features

- Compliant to the SFP+ MSA SFF-8431
- Compliant to the SFP+ MSA SFF-8432
- Built-in digital diagnostic functions
- Single +3.3V power supply, maximum power consumption 0.6W
- Operation case temperature 0~70°C for commercial
- Operating Data rate: up to 11.3Gbps
- RoHS6 compliance, and Class 1 laser safety
- Application: 10G Ethernet



Operating Condition

Parameter	Unit	Min.	Typical	Max.
Storage Temperature	°C	-40		85
Operating Case Temp for C-temp	°C	0		70
Power Supply Voltage	V	3.135	3.3	3.465
Power Consumption	W			0.6
Bit Rate	Gbps	9.953	10.3125	11.3

Electrical Characteristics

Parameter	Unit	Min.	Typical	Max.	Note
Transmitter					
Data Input Swing Differential/TX	mV	200	-	1600	
Date Differential Impedance	Ω	90	100	110	
Tx_Fault (Normal Operation)	V	0		0.8	
Tx_Fault (Transmitter Fault)	V	2.0		VCC	
Tx_Disable (Normal Operation)	V	0		0.8	
Tx_Disable (Transmitter Disable)	V	2.0		VCC+0.3	
Receiver					
Data Output Swing Differential/RX	mV	370	-	1600	
Date Differential Impedance	Ω	90	100	110	
Rx_LOS (Normal Operation)	V	0		0.8	
Rx_LOS (Loss of Signal)	V	2.0		VCC	
Bit Error Ratio				1E-12	1

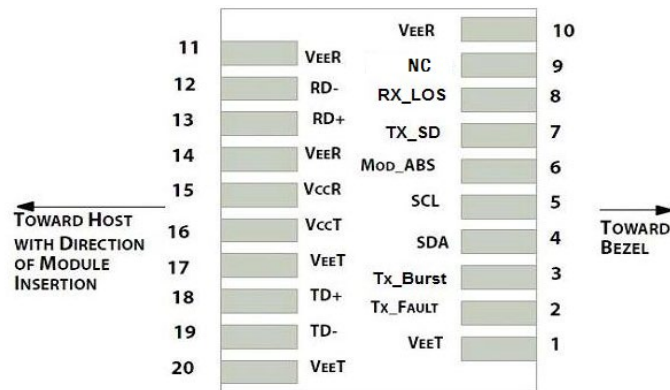
1. Measured with PRBS 2³¹-1 test pattern @10.3125Gbps.BER=10E-12

PIN Definition

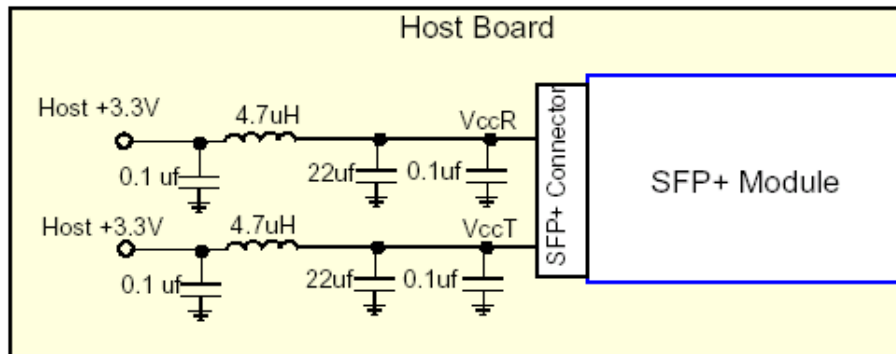
Pin No.	Symbol	Level / Logic	Description	Note
1	VeeT		Module Transmitter Ground	1
2	Tx_Fault	LVTTL-O	Module Transmitter Fault Indication	2
3	Tx_DIS	LVTTL-I	Transmitter Disable; Active High Disable Transmitter Output	3
4	SDA	LVTTL-I	2-Wire Serial Interface Data Line	
5	SCL	LVTTL-I/O	2-Wire Serial Interface Clock	
6	MOD_ABS	LVTTL-O	Module Absent, connected to ground in the module	2
7	RS0		Rate Select 0, optionally controls SFP28 module receiver	
8	RX_LOS	LVTTL-O	Loss of Receiver Signal Indication	2
9	RS1		Rate Select 1, optionally controls SFP28 module transmitter	
10	VeeR		Module Receiver Ground	1
11	VeeR		Module Receiver Ground	1
12	RD-	CML-O	Receiver Inverted Data Output	
13	RD+	CML-O	Receiver Non-Inverted Data Output	
14	VeeR		Module Receiver Ground	1
15	VccR		Module Receiver 3.3V Supply	
16	VccT		Module Transmitter 3.3V Supply	
17	VeeT		Module Transmitter Ground	1
18	TD+	CML-I	Transmitter Non-Inverted Data Input	
19	TD-	CML-I	Transmitter Inverted Data Input	
20	VeeT		Module Transmitter Ground	1

Note:

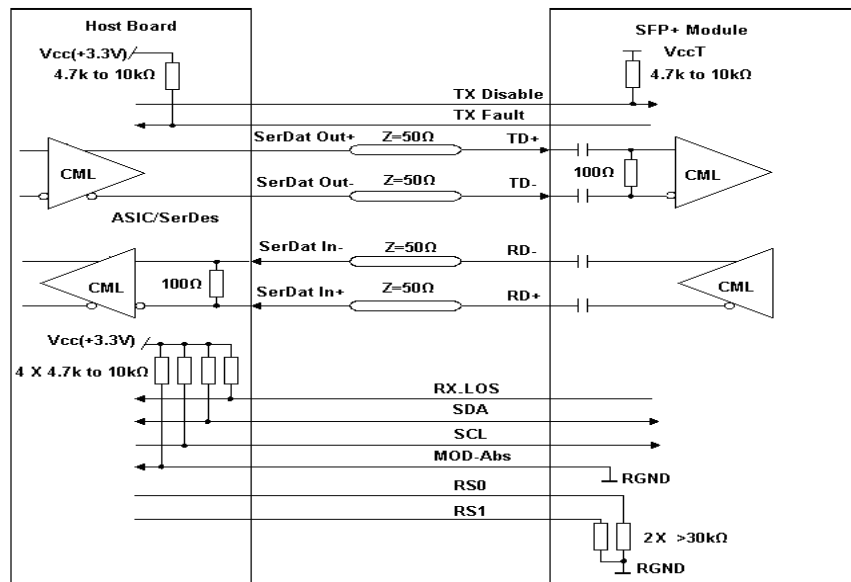
1. The module ground pins are isolated from the module case.
2. The pins shall be pulled up with 4.7K-10Kohms to a voltage between 3.14V and 3.46V on host board.
3. The pin is pulled up to VCCT with a 4.7K-10KΩ resistor in the module.

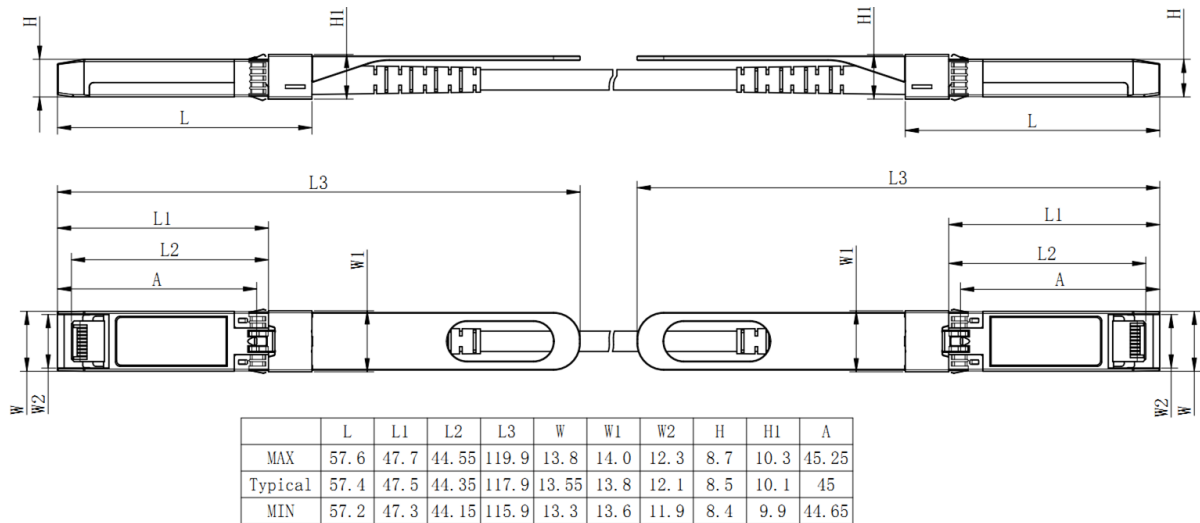


Recommended Host Board Power Supply Circuit



Recommended Interface Circuit



OUTLINES

Ordering Information

Ordering P/Ns	Description
D08899-SCCA-XXX	SFP+ 10G AOC, 850nm, xxxm, commercial temperature.

XXX	Cable (MMF) Length
001	001=1m
050	050=50m
100	100=100m

Contact Us
International Sales

 Email: Sales@broadex-tech.co.uk

Tel: +44-1506-426021

Mobile: +44-7968-854124

China Sales

Tel: +86-573-82585881

 Email: Sales@broadex-tech.com

Copyright © 2020 Broadex Technologies. All rights reserved